

# Safety light curtains with Separate beams.

# SAHE / SAHI Series SCT- SCRM18

## Type 2 according with EN61496



## Ideals for protection of

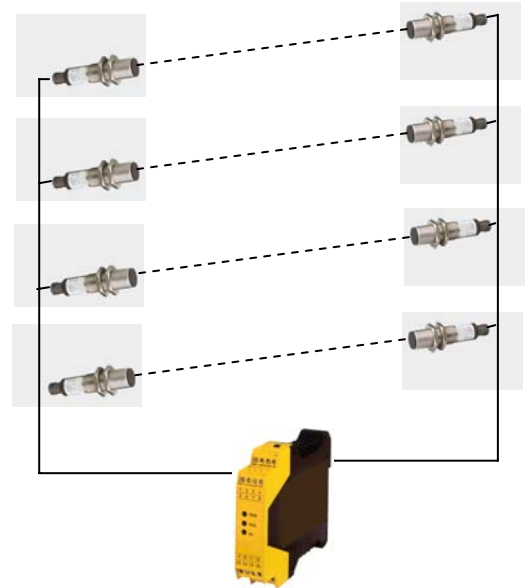
- Access and perimeter protection

## Presentation

The SAHE / SCTR18 safety light curtains satisfy the most demanding in safety, ergonomics and productivity criteria governing the protection of people working on machines.

### Many functions :

- EDM fonction (external device monitoring)
- Automatic selftest (each 20 s).
- Test input.
- Integrated Muting
- Automatic or manual restart.
- Small dimensions allow to fit the photocells in narrow space.



## Technical features SCTM18 / SCRM18 :

- Safety type 2 (associé aux boîtiers SAHE / SAHI).
- Max operating range : 8 mètres / 20 mètres (suivant modèles)
- Minimum detectable object : 12 mm
- Response time : 7 ms
- Output : PNP 100 mA
- dimensions : Ø 18 mm x 85 mm
- Output on M12 connectors ( 4 pôles)
- Power supply : 24 VDC +/- 20%.
- Operating temperature : 0 à + 55°c
- Metal housing IP67.

SCTM18 / SCRM18



## Technical features SAHE :

- Type 2 according with 2 EN61496.
- Possibility to use 1, 2,3, 4 beams SCTM/ SCRM
- Power supply 24 VDC +/- 20%
- 2 safety relays output N0 – 2A / 250 VAC
- 1 output diagnostic system : PNP / 100 mA / 24 VDC
- Response times : 15 ms
- Manual or automatique restart
- Test input
- Automatic selftest (each 20 s).
- EDM inputs ( external device monitoring)
- Connection on terminal blocks.
- Din Rail compatibles.

SAHE



é  
t  
e  
c



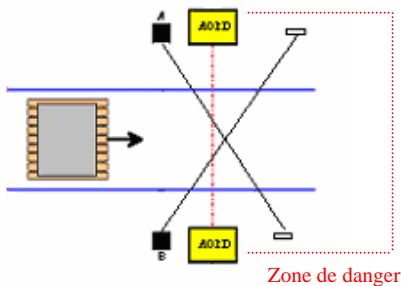
## Muting technical features SAHI :

- Type 2 according with EN61496.
- Possibility to use 1, 2,3, 4 beams SCTM/ SCRM
- Power supply 24 VDC +/- 20%
- 2 safety relays outputs N0 – 2A / 250 VAC
- 1 output diagnostic system : PNP / 100 mA / 24 VDC
- Response time : 15 ms
- Manual or automatique restart
- Test input
- Automatic selftest (each 20 s)..
- Built in muting function with 2 sensors logic sequence.
- Muting enable input.
- Output for muting signalling lamp.
- Built in override function (manual with hold to run action/automatic with impulse command)
- Muting time out 30 secondes ou l'infini.
- EDM input ( external device monitoring)
- Terminal blocks connection.
- Fault diagnosis indicators led.

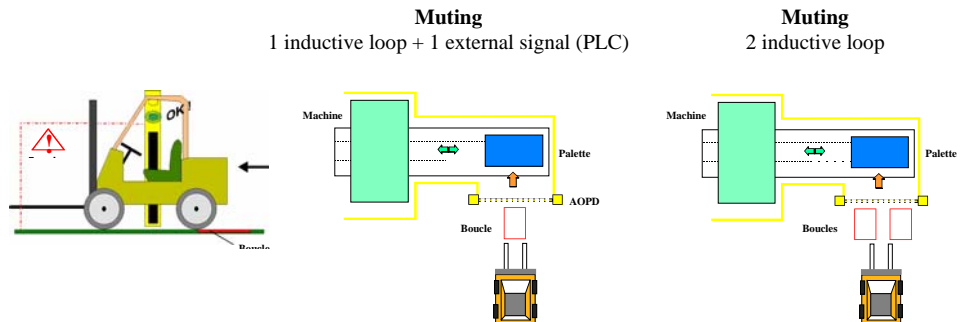
SAHI



## Muting



## Muting by inductive loop trucks / personn.



## Références to order

<b>SCTRM18</b>	Emitter + receiver M18 connector M12 range 8 m	<b>SAHE</b>	Safety box for SCTRM18
<b>SCTRM18L</b>	Emitter + receiver M18 connector M12 range 20 m	<b>SAHI</b>	Safety box with integrated muting
<b>ST1218</b>	Brackets for M18	<b>INA110M</b>	Inductive loop.
<b>SX42WC5</b>	Câble M12 5 pins length : 5 m	<b>CCPZ24</b>	Polarized photoelecrique switch , range 6m
<b>SX42WC10</b>	Câble M12 5 pins length 10 m	<b>WAB480</b>	reflectors diameter 83 mm
		<b>SWI002</b>	Muting lamp 24 VDC – 7W

Les produits présentés dans ce document sont susceptibles d'évolutions. Les descriptions et caractéristiques ne sont pas contractuelles.



**JAYSENSOR**, établissement de ASTEEL DEVELOPPEMENT  
 176, rue Lavoisier – Montbonnot BP53  
 F - 38331 SAINT ISMIER CEDEX  
 TEL : +33 (0) 476 616 590  
 FAX : +33 (0) 476 616 598  
 E-MAIL : [jaysensor@asteel.fr](mailto:jaysensor@asteel.fr)  
 WEB : [www.jaysensor.asteel.fr](http://www.jaysensor.asteel.fr)

Distributeur

JAYSENSOR –