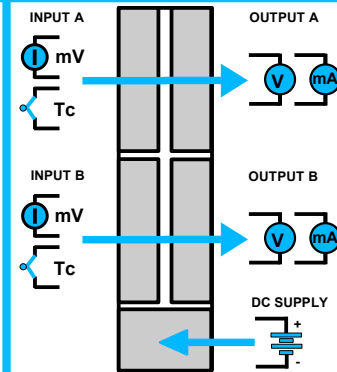


Double channel, isolated converter for Tc and mV configurable by Dip-Switch or PC

DAT 4532 A

FEATURES

- Configurable input for TC and mV
- Configurable output in current or voltage
- Double channel in the same enclosure
- Configurable by dip-switch or PC
- High accuracy
- On-field reconfigurable
- Galvanic isolation among the ways
- EMC compliant – CE mark
- Suitable for DIN rail mounting in compliance with EN-50022 and EN-50035



GENERAL DESCRIPTION

The isolated converter DAT 4532 A is able to measure and linearise the standard thermocouples with internal or external cold junction compensation. In function of programming, the measured values are converted in a current or voltage signal. The device guarantees high accuracy and performances stability both versus time and temperature.

The double channel allows the high density mounting where is necessary to reduce the encumbrances.

The programming is made by the dip-switch located in the window on the side of the enclosure. By means of dip-switches it is possible to select the input type and range and the output type without recalibrate the device.

Moreover, by Personal Computer the user can program all of the device's parameters for his own necessity; the configuration by PC allows to program the two channels with two independent settings. For Thermocouple sensors it is possible to set the Cold Junction Compensation (CJC) as internal or external.

Moreover it is available the option of alarm for signal interruption (burn-out) that allows to set the output value as high or low out of scale .

The 1500 Vac galvanic isolation on all ways (inputs, outputs and power supply) eliminates the effects of all ground loops eventually existing and allows the use of the converter in heavy environmental conditions found in industrial applications.

The DAT 4532 A is in compliance with the Directive 2004/108/EC on the Electromagnetic Compatibility.

It is housed in a plastic enclosure of 12.5 mm thickness suitable for DIN rail mounting in compliance with EN-50022 and EN-50035 standards.

USER INSTRUCTIONS

The converter must be powered by a direct voltage applied to the terminals Q and R.

The channel A measures the value from the sensor connected to the terminals I, L and G and transmits the output measure on the terminals N and M. The channel B measures the value from the sensor connected to the terminals E, F and H and transmits the output measure on the terminals P and O.

The input and output connections must be made as shown in the section "Connections".

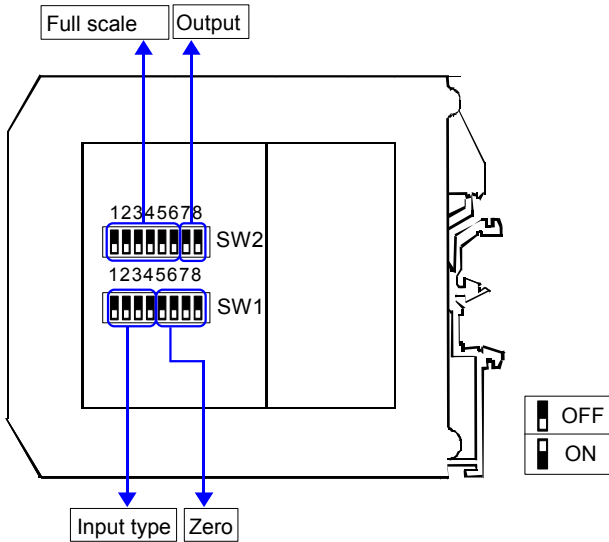
It is possible to configure the converter on field by dip-switch or Personal Computer as shown in the section " Programming ". The configuration by dip-switches can be made also if the device is powered (note: after the configuration the device takes some seconds to provide the right output measure).

TECHNICAL SPECIFICATIONS (Typical at 25 °C and in nominal conditions)

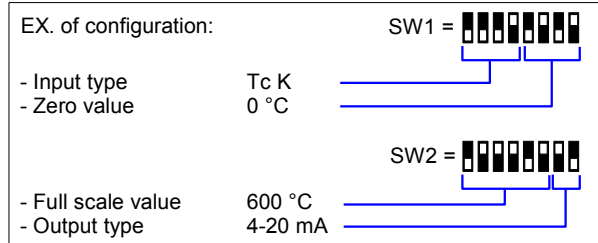
| INPUT (2 CHANNELS) | | | | OUTPUT (2 CHANNELS) | | | | POWER SUPPLY | |
|--|--------------|---------|----------|---------------------------------------|----------------|--------------|---------------------------------|-----------------------------|--|
| Input type | Min | Max | Min.Span | Output type | Min | Max | Min Span | | |
| TC (CJC int./ext.) | | | | Current | 0 mA | 20 mA | 4 mA | Power supply voltage | 18 .. 30 Vdc |
| J | -200°C | 1200°C | 100°C | Voltage | 0 V | 10 V | 1 V | Reverse polarity protection | 60 Vdc max |
| K | -200°C | 1300°C | 100°C | Output calibration | | | | Current consumption | |
| S | 0°C | 1750°C | 400°C | | | | | Current | ± 7 uA |
| R | 0°C | 1750°C | 400°C | Voltage | ± 5 mV | | Voltage output | 25 mA max. | |
| B | 0°C | 1850°C | 400°C | Burn-out values | | | | ISOLATION | |
| E | -200°C | 1000°C | 100°C | | | | | Max. output value | 22 mA or 10.6 V |
| T | -200°C | 400°C | 100°C | Min. output value | 0 mA or -0.6 V | | TEMPERATURE AND HUMIDITY | | |
| N | -200°C | 1300°C | 100°C | Output load Resistance - Rload | | | | Operative temperature | -20°C .. +60°C |
| Voltage | | | | | | | | Current output | < 500 Ω |
| mV | -100 mV | +90 mV | 5 mV | Voltage output | > 10 KΩ | | Humidity (not condensed) | 0 .. 90 % | |
| mV | -100 mV | +200 mV | 10 mV | Short circuit current | 26 mA max. | | HOUSING | | |
| mV | -100 mV | +800 mV | 20 mV | Response time (10÷ 90%) | | | | Material | Self-extinguishing plastic |
| Input calibration (1) | | | | | | | | about 500 ms | EMC (for industrial environments) |
| mV, TC the higher of ± 0.1% f.s. and ±12 uV | | | | | Immunity | EN 61000-6-2 | | | |
| Linearity (1) | | | | | Emission | EN 61000-6-4 | | | |
| TC | ± 0.2 % f.s. | | | | Weight | | | | |
| mV | ± 0.1 % f.s. | | | | | | | | |
| Input impedance | | | | | Material | | | | |
| TC, mV | ≥ 10 MΩ | | | | | | | | |
| Line resistance influence (1) | | | | | Mounting | | | | |
| TC, mV | ≤ 0.8 uV/Ohm | | | | | | | | |
| Thermal drift (1) | | | | | Weight | | | | |
| Full scale | ± 0.01% / °C | | | | | | | | |
| CJC | ± 0.01% / °C | | | | Material | | | | |
| CJC comp. | ± 0.5°C | | | | | | | | |
| (1)referred to the input Span (difference between max. and min.) | | | | | Mounting | | | | |
| | | | | | | | | | |

PROGRAMMING

CONFIGURATION BY DIP-SWITCHES



- 1) Open the suitable door on the side of the device.
- 2) Set the input type by the dip-switch SW1 [1..4] (see TAB.1)
- 3) Set the minimum input scale value (Zero) by the dip-switch SW1 [5..8] (see TAB.3)
- 4) Set the maximum input value (Full scale) by the dip-switch SW2 [1..6] (see TAB.3)
- 5) Set the output type by the dip-switch SW2 [7..8] (see TAB.2)



NOTE:

- It is also possible to set the dip-switches using the wizard of the configuration software following the procedure described in the section "Configuration by PC" until the step 6 and clicking on "Switch".

DIP-SWITCH CONFIGURATION TABLES

TAB.1
Input type setting

| SW1 1 2 3 4 | SW1 1 2 3 4 |
|----------------|----------------|
| | EPROM * |
| | Tc K |
| | Tc R |
| | Tc S |
| | Tc T |
| | Tc B |
| | Tc E |
| | Tc N |
| | Tc J |
| | --- |

TAB.2
Output setting

| SW2 7 8 | |
|------------|---------|
| | 0-20 mA |
| | 4-20 mA |
| | 0-10 V |
| | 0-5 V |

TAB.3 – Input scale setting

| Zero | | Full Scale | | Full Scale | | Full Scale | | Full Scale | |
|----------------|---------|--------------------|---------|--------------------|-----|--------------------|-----|--------------------|------|
| SW1 5 6 7 8 | °C | SW2 1 2 3 4 5 6 | °C | SW2 1 2 3 4 5 6 | °C | SW2 1 2 3 4 5 6 | °C | SW2 1 2 3 4 5 6 | °C |
| | Default | | Default | | 75 | | 225 | | 700 |
| | -200 | | 0 | | 80 | | 250 | | 750 |
| | -100 | | 5 | | 85 | | 255 | | 800 |
| | -80 | | 10 | | 90 | | 275 | | 850 |
| | -60 | | 15 | | 95 | | 300 | | 900 |
| | -50 | | 20 | | 100 | | 325 | | 950 |
| | -40 | | 25 | | 110 | | 350 | | 1000 |
| | -30 | | 30 | | 120 | | 375 | | 1100 |
| | -20 | | 35 | | 130 | | 400 | | 1200 |
| | -10 | | 40 | | 140 | | 425 | | 1300 |
| | 0 | | 45 | | 150 | | 450 | | 1400 |
| | 10 | | 50 | | 160 | | 475 | | 1500 |
| | 20 | | 55 | | 170 | | 500 | | 1600 |
| | 50 | | 60 | | 180 | | 550 | | 1750 |
| | 100 | | 65 | | 190 | | 600 | | 1800 |
| | 150 | | 70 | | 200 | | 650 | | 1850 |

NOTES:

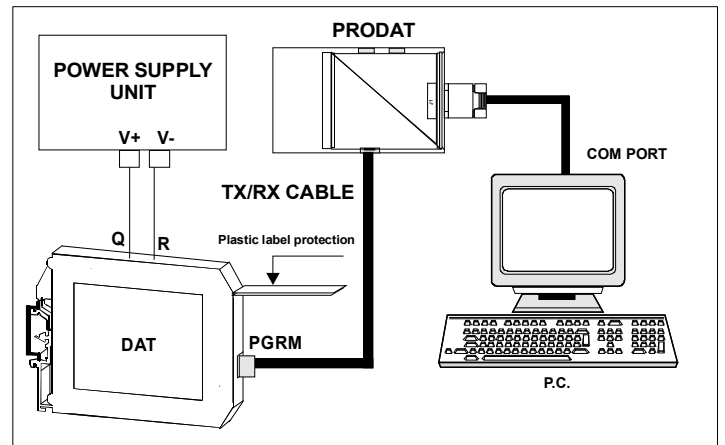
- * If the dip-switches SW1 [1..4] are all set in the position 0 ("EPROM"), the device will follow the configuration programmed by PC (input type and range, output type and range and options).
- * For all the "Tc" type selected by dip-switches, the cold junction compensation is internal.
- * If the dip-switches SW1 [5..8] are all set in the position 0 ("Default"), the device will follow the input scale programmed by PC for the input type selected by the dip-switches SW1 [1..4]
- * Eventual wrong dip-switches settings will be signalled by the blinking of the led "PWR".

CONFIGURATION BY PC

- By software DATESOFT it is possible to:
- set the default programming of the device;
 - program the options not available with the dip-switch;
 - (burn-out level, CJC offset, etc...);
 - read, in real time, the input and output measures;
 - follow the dip-switches configuration wizard.

To configure the device follow the next steps:

- 1) Power-on the device.
- 2) Open the protection plastic label on the front of the device.
- 3) Connect the interface PRODAT to the PC (COM port) and to the device (PGRM connector).
- 4) Open DATESOFT.
- 5) Select the COM port in use.
- 6) Click on "Open COM".
- 7) Click on "Program".
- 8) Set the programming data.
- 9) Click on "Write" to send the programming data to the device.



Warning: during these operations the device must always be powered and the TX/RX cable always connected.
For information about DATESOFT refer to the software's user guide.

INSTALLATION INSTRUCTIONS

The device is suitable for fitting to DIN rails in the vertical position. For optimum operation and long life follow these instructions:

When the devices are installed side by side it may be necessary to separate them by at least 5 mm in the following cases:

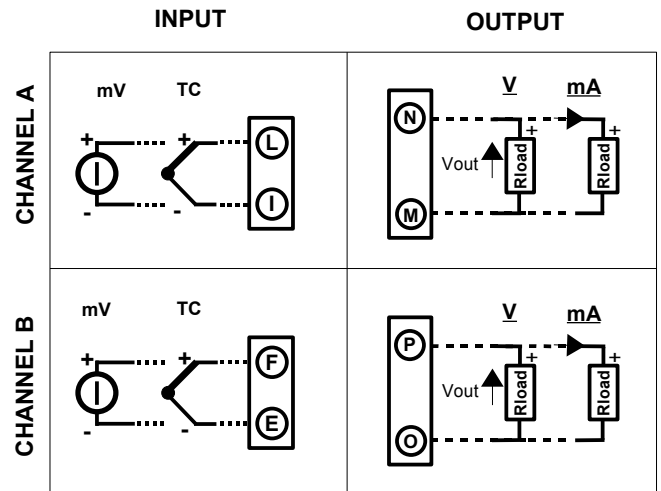
- If panel temperature exceeds 45°C.
- Use of high power supply value (> 27 Vdc).
- Use of output current.

Make sure that sufficient air flow is provided for the device avoiding to place raceways or other objects which could obstruct the ventilation slits. Moreover it is suggested to avoid that devices are mounted above appliances generating heat; their ideal place should be in the lower part of the panel.

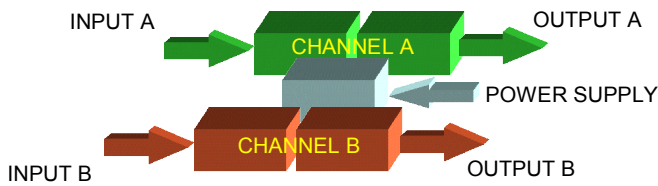
Install the device in a place without vibrations.

Moreover it is suggested to avoid routing conductors near power signal cables (motors, induction ovens, inverters etc...) and to use shielded cable for connecting signals.

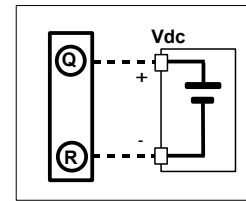
CONNECTIONS



ISOLATION STRUCTURE



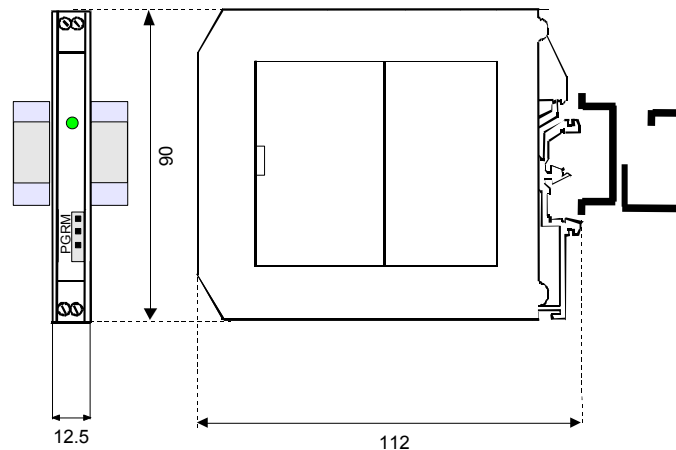
POWER SUPPLY



LIGHT SIGNALLING

| LED | COLOUR | STATE | DESCRIPTION |
|-----|--------|----------|----------------------------|
| PWR | GREEN | ON | Device powered |
| | | OFF | Device not powered |
| | | BLINKING | Wrong dip-switches setting |

DIMENSIONS (mm)



HOW TO ORDER

The device is provided as requested on the Customer's order. Refer to the section "Programming" to determine the input and output ranges. In case of the configuration is not specified, the parameters must be set by the user.

ORDER CODE EXAMPLE:

DAT 4532A / Tc K / 0÷1200 °C / 4 ÷ 20 mA / CJC Int.

