

DIGITAL INDICATOR CD1800



- Very competitive price
- Large 3 1/2 Digit LED display
- Display orderable as Red or Green
- Stick-on labels for engineering units
- Linear transducer power supply
- Precision $\pm 0,1\%$
- CE approved

The new indicator CD1800 is designed for the applications not able to support the price of a microprocessor based indicator, but at same time with necessity to have input, decimal point and scale range adjustable.

These configurations are done via Bank switches or zero and span potentiometer.

Thus CD1800 is an indicator easy to stock.

EASY TO USE

CD1800 has been designed with the user in mind for its easy to read LED display and intuitive Set-up.

A small frontal window allows to see the table for Engineering units.

APPLICATIONS

CD1800 is a general purpose indicator because accepts high and low D.C. voltage inputs.

The most common application are:

- RPM indication from tacho signal;
- current indication with signal from DC-Drive/Inverter;
- speed indication from tacho signal or from DC-Drive/Inverter;
- pull indication from a load cell;
- position indication from linear transducer;
- D.C. digital voltmeter.

CD1800 provides also an internal power supply for linear transducer.

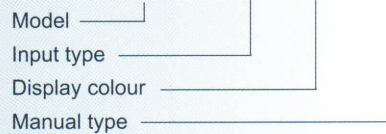


TECHNICAL DETAILS

Input type	0-5 Vdc Impedance >100 Kohm
	0-10 Vdc Impedance >100 Kohm
	0-100 Vdc Impedance >100 Kohm
	0-200 Vdc Impedance >100 Kohm
	4-20 mA Impedance =250 Ohm
Precision	± 0,1% f.s. ±1 digit
Repeatability	± 0,1% f.s.
Scale range	± 1999 3 ^{1/2} digit
Voltage supply	115-230 Vac ±10%
Consumption	3 VA
Thermal drift	± 200 ppm/°C
Display	LED 7 segments 13 mm
Decimal point position	Dip switch selectable
Zero adjust	± 150 digit
Span adjust	50%+150% span
Linear transducer voltage supply	+ 5 V - 5 V 10mA max
Working temperature	0+ +45 °C (U.R.<90%)
Stocking temperature	0+ +60 °C (U.R.<90%)
Wiring connection	Screw terminals
Protection	IP 30
Case material	Auto extinguishing Noryl UL 94 V-O
Weight	300 grams

HOW TO ORDER YOUR CD1800

Order code **CD1800 / - - - - / - / M -**



MODEL

Digital indicator CD1800

INPUT TYPE

Code	Description
0005	0-5Vdc
0010	0-10Vdc
0100	0-100Vdc
0200	0-200Vdc
0420	4-20mA

OPTION

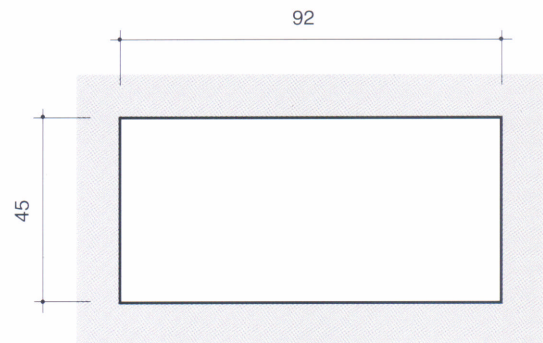
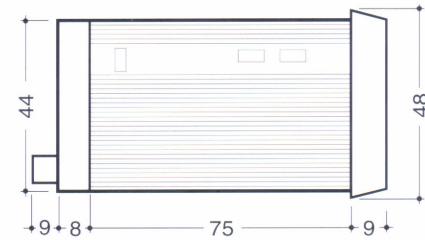
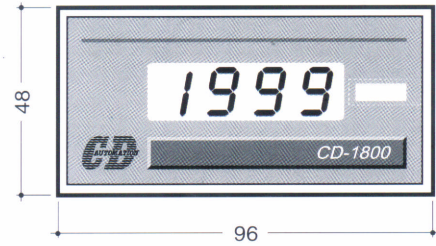
Code	Description
R	Red LED display
V	Green LED display

TYPE MANUAL

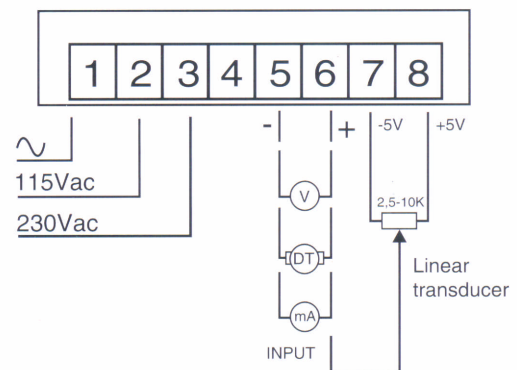
Code	Description
1	Italian manual
2	English manual

DISTRIBUTOR

DIMENSIONS



WIRING CONNECTIONS



Controllers, Drives & Automation

CD AUTOMATION s.r.l.

Via Picasso, 34/36

20025 Legnano (MI) - ITALIA

Tel. +39 0331 577479 Fax. +39 0331 579479

email. info@cdautomation.com