

TERMORESISTENZE PT100 PER APPLICAZIONI GENERICHE PT100 THERMAL RESISTANCES FOR GENERIC APPLICATIONS

LUNGHEZZA GUAINA (L1) SHEATH LENGTH (L1)

50 mm	1
100 mm	4
150 mm	5
200 mm	6

TOLLERANZA ELEMENTO SENSIBILE (IEC 751) SENSIBLE ELEMENT ACCURACY (IEC 751)

0	Classe "B" ($\pm 0.3^{\circ}\text{C}$ a 0°C)
3	Classe "A" ($\pm 0.15^{\circ}\text{C}$ a 0°C)

CAVO USCENTE OUTLET CABLE

PVC TERMOELEMENTI ISOLATI IN PVC + GUAINA IN PVC (-30/+80°C) INSULATED THERMOELEMENTS IN PVC + PVC SHEATH (-30/+80°C)	1
GS TERMOELEMENTI ISOLATI IN GOMMA SILICONATA + GUAINA IN GOMMA SILICONATA (-60/+200°C) INSULATED THERMOELEMENTS IN SILICONED RUBBER + SHEATH IN SILICONED RUBBER (-60/+200°C)	2
GSS TERMOELEMENTI ISOLATI IN GOMMA SILICONATA + GUAINA IN GOMMA SILICONATA + GUAINA CON FILI DI RAME STAGNATO (-60/+200°C) INSULATED THERMOELEMENTS IN SILICONED RUBBER + SHEATH IN SILICONED RUBBER + SHEATH WITH TINNED COPPER WIRE (-60/+200°C)	3
TTS TERMOELEMENTI ISOLATI IN FIBRA DI VETRO SILICONATO + CALZA IN FIBRA DI VETRO + GUAINA CON FILI DI RAME STAGNATO (-60/+250°C) INSULATED THERMOELEMENTS IN SILICONED FIBRE GLASS + BRAIDED WIRE IN FIBRE GLASS + SHEATH WITH TINNED COPPER WIRE (-60/+250°C)	4
FTS TERMOELEMENTI ISOLATI IN MFA + SCHERMATURA A TRECCIA + MFA (-60 / + 250°C) INSULATED THERMOELEMENTS IN MFA + COPPER PLAIT SHIELD + MFA (-60 / + 250°C).	5

DIAMETRO GUAINA (A) SHEATH DIAMETER (A)

40	4 mm
50	5 mm
60	6 mm
80	8 mm

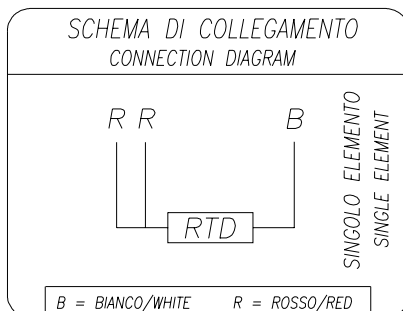
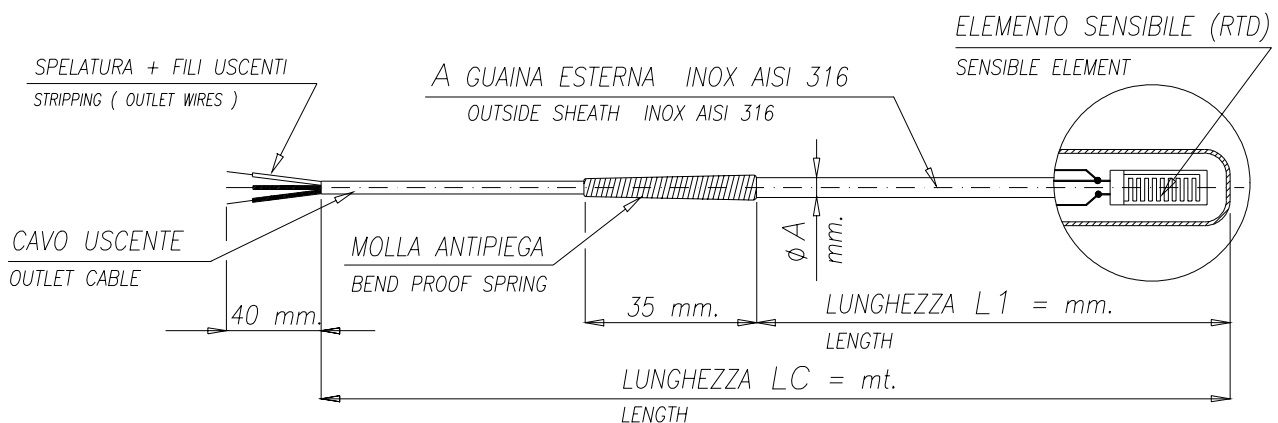
LUNGHEZZA TOTALE (LC) TOTAL LENGTH (LC)

01	1 mt
02	2 mt
03	3 mt
04	4 mt
05	5 mt
06	6 mt
07	7 mt
08	8 mt
09	9 mt
10	10 mt



Immersione minima 20 mm.
Minimum immersion 20 mm.

Cod. 3 6 . 7 1 .



**DIAMETRI DISPONIBILI
DISPOSABLE DIAMETER**

DIAM. A = mm.	4	5	6	8
CAVO PVC		●	●	●
CAVO GS		●	●	●
CAVO GSS			●	●
CAVO TTS	●	●	●	●
CAVO FTS		●	●	●

LA TEMPERATURA MASSIMA CORRISPONDE ALLA TEMPERATURA DI LAVORO DEL CAVO UTILIZZATO
THE MAXIMUM TEMPERATURE CORRESPONDS TO THE OPERATION TEMPERATURE OF THE CABLE UTILISED