

TERMORESISTENZE PT100 PER IMPIEGO SU STAMPI ED ESTRUSORI CON ATTACCO A BAIONETTA.
PT100 THERMAL RESISTANCES TO BE USED IN DIES AND EXTRUDERS, WITH BAIONET CONNECTIONS.

CAVO USCENTE
OUTLET CABLE

PVC TERMOELEMENTI ISOLATI IN PVC + GUAINA IN PVC (-30/+80°C) INSULATED THERMOELEMENTS IN PVC + PVC SHEATH (-30/+80°C)	1
GS TERMOELEMENTI ISOLATI IN GOMMA SILICONATA + GUAINA IN GOMMA SILICONATA (-60/+200°C) INSULATED THERMOELEMENTS IN SILICONED RUBBER + SHEATH IN SILICONED RUBBER (-60/+200°C)	2
GSS TERMOELEMENTI ISOLATI IN GOMMA SILICONATA + GUAINA IN GOMMA SILICONATA + GUAINA CON FILI DI RAME STAGNATO (-60/+200°C) INSULATED THERMOELEMENTS IN SILICONED RUBBER + SHEATH IN SILICONED RUBBER + SHEATH WITH TINNED COPPER WIRE (-60/+200°C)	3
TTS TERMOELEMENTI ISOLATI IN FIBRA DI VETRO SILICONATO + CALZA IN FIBRA DI VETRO + GUAINA CON FILI DI RAME STAGNATO (-60/+250°C) INSULATED THERMOELEMENTS IN SILICONED FIBRE GLASS + BRAIDED WIRE IN FIBRE GLASS + SHEATH WITH TINNED COPPER WIRE (-60/+250°C)	4
FTS TERMOELEMENTI ISOLATI IN MFA + SCHERMATURA A TRECCIA + MFA (-60 / + 250°C) INSULATED THERMOELEMENTS IN MFA + COPPER PLAIT SHIELD + MFA (-60 / + 250°C).	5

DIMENSIONE PUNTALE
FERRULE DIMENSION

(A)	(B)	
∅ 6 mm	15 mm	4
∅ 6 mm	35 mm	5
∅ 8 mm	10 mm	6
∅ 6 mm	100 mm	8

TOLLERANZA ELEMENTO
SENSIBILE (IEC 751)
SENSIBLE ELEMENT
ACCURACY (IEC 751)

0	Classe - Class "B" (±0.3°C a 0°C)
3	Classe - Class "A" (±0.15°C a 0°C)

FILETTO (F)
THREAD (F)

01	1/4" GAS
02	12MA (12x1.75)
03	12MB (12x1.5)
04	12MC (12x1)

LUNGHEZZA CAVO (LC)
LENGTH OF THE CABLE (LC)

01	1 mt
02	2 mt
03	3 mt
04	4 mt
05	5 mt
06	6 mt
07	7 mt
08	8 mt
09	9 mt
10	10 mt

Cod.

3	8		
---	---	--	--

 .

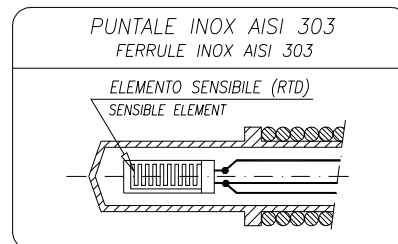
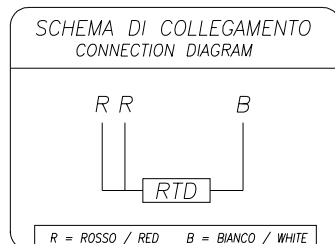
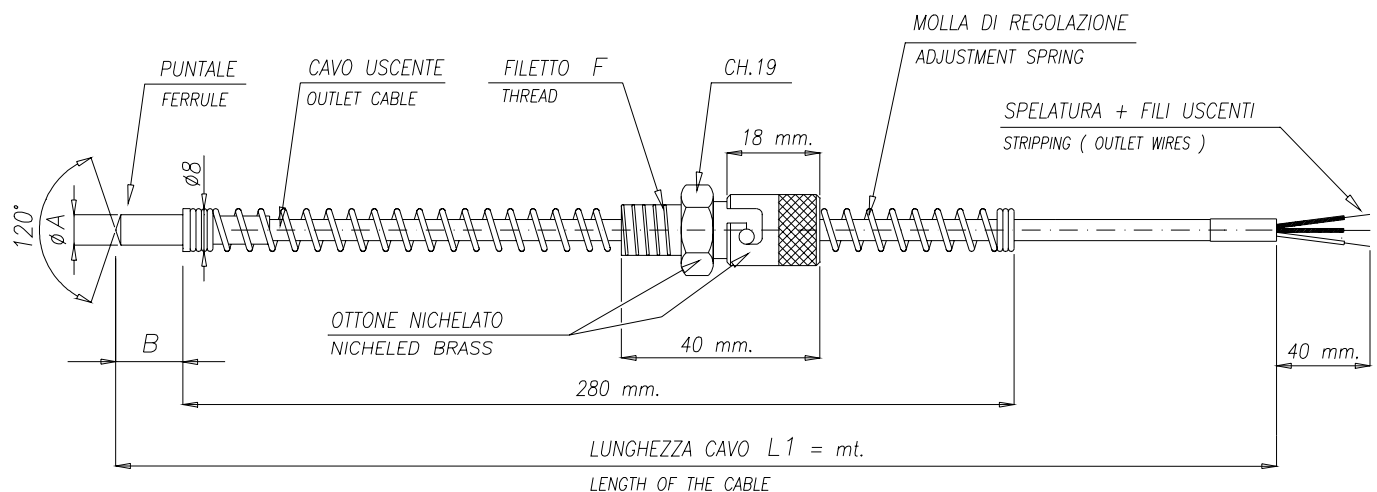
7	1
---	---

 .

--	--	--	--



Immersione minima 20 mm.
 Minimum immersion 20 mm.



LA TEMPERATURA MASSIMA CORRISPONDE ALLA TEMPERATURA DI LAVORO DEL CAVO UTILIZZATO
 THE MAXIMUM TEMPERATURE CORRESPONDS TO THE OPERATION TEMPERATURE OF THE CABLE UTILISED